

Light Optics

Building a brighter future

LO-MC-1002C3S

2×1.25G to 2.5G Gigabit Ethernet Multiplexer

Main Features

- ◆ Attach one 2.5G SFP module to SFP1 Cage on the Multiplexer.
Attach two 1.25G SFP modules to SFP2 and SFP3 Cage on the Multiplexer.
- ◆ Link fiber from the SFP1 on one Multiplexer with SFP1 on another Multiplexer. It can link through CWDM system.
- ◆ Link fiber from the SFP2 and SFP3 on the Multiplexer to Gigabit Ethernet Service.
Note: SFP2 on one Multiplexer link pass only with SFP2 on another Multiplexer. SFP3 on one Multiplexer link pass only with SFP3 on another Multiplexer.
- ◆ Connect the power cord to the Multiplexer and check that the Power LED lights up. The P_x LEDs will light when all the cable connections satisfactory.



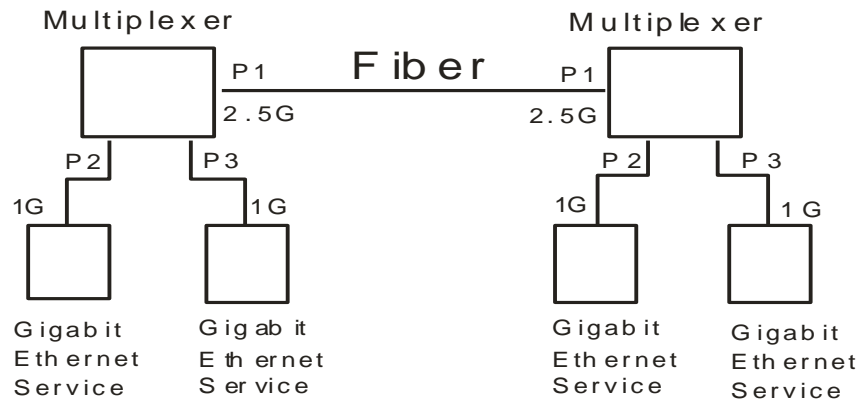
Technical Specifications

- ◆ **Standards:** IEEE 802.3AB 1000Base-T
1000Base-SX/LX/LH
- ◆ **Fiber Cable:**
Multi-mode: 50/125, 62.5/125μm
Single-mode: 9/125μm.
- ◆ **Data Transfer Rate:** 2.5Gbps for SFP1, 1Gbps for SFP2 and SFP3.
- ◆ **LED Indicators:**
Power, P1 2.5G, P1 Link/Act, P2 Link/Act, P3 Link/Act,
- ◆ **Power Requirement:** 220V(110-245V)AC, 50Hz
- ◆ **Ambient Temperature:** 0 ~ 50°C
- ◆ **Humidity:** 5% ~ 90%
- ◆ **Dimensions:** 26×70×93mm (H×W×D)

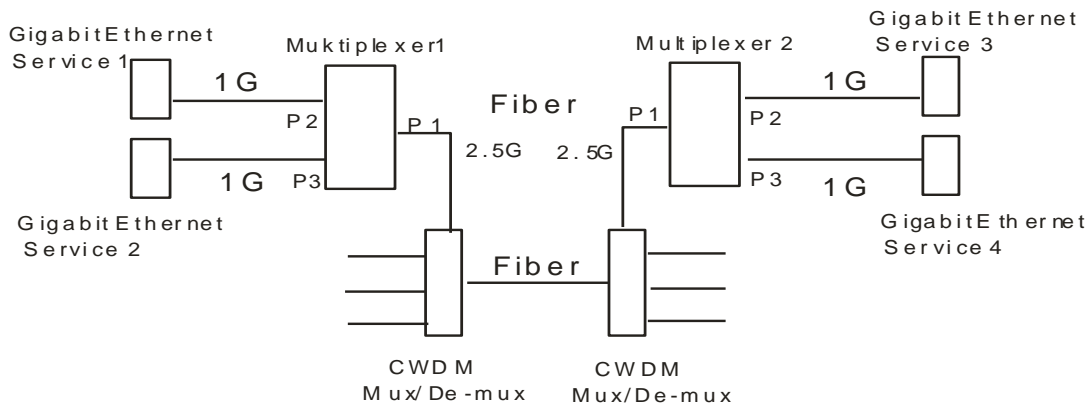
Light Optics

Building a brighter future

Typical Application



Application 1



Application 2

Order Information

| Model | Product description |
|---------------|--|
| LO-MC-1002C3S | 3 ports Gigabit Ethernet Multiplexer with two 1.25G SFP ports and one 2.5G SFP port. |